



351 SERIES

FEATURES

- 2.92 Connectors
- Small Size & Lightweight
- Designed for MIL-E-5400 Class II

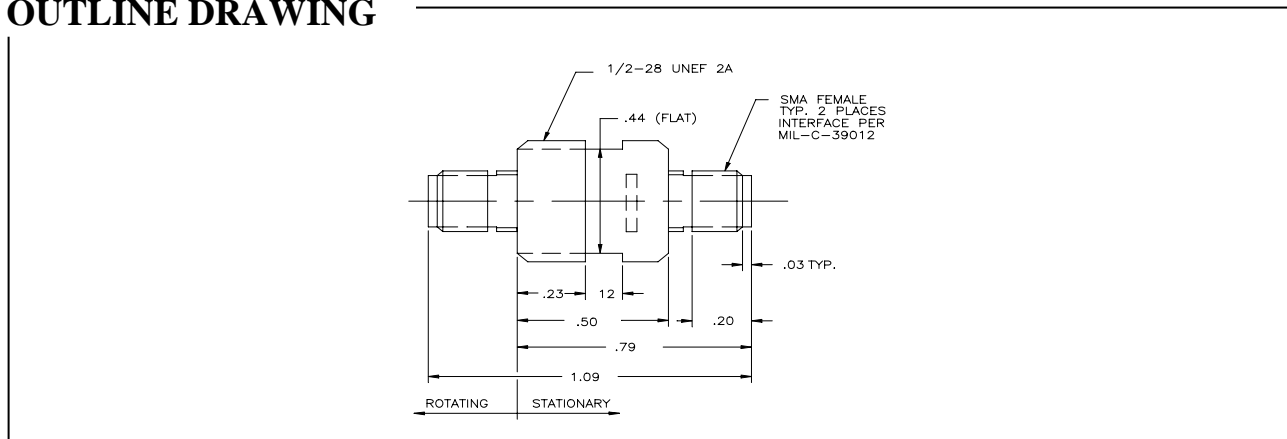
SPECIFICATIONS

Frequency Range f (GHz)	VSWR Max @ f(GHz)	Insertion Loss, max (dB)	Peak Power (W)	Average Power Watts @ f (GHz)	Starting Torque Max (oz-in)	Continuous Rotational Speed (rpm)	Nominal Weight (ounces)	Model Number
DC – 40	DC-10 1.30:1 10-20 1.45:1 20-30 1:60:1 30-40 1:75:1	0.1+0.015f	500	100 @ 1	5.0	250	0.5	351

NOTES

1. WOW (max VSWR/min VSWR) is 1.02 max per 360°.
2. Refer to Power Derating Curves for rating other frequencies.
3. Max DC Current is 3 Amps.
4. 2.92 Connectors compatible with standard SMA as shown below.

OUTLINE DRAWING



MISCELLANEOUS:

1. Sage Laboratories Inc. "Standard Warranty and Order Terms and Conditions" apply to all orders.
2. All specifications subject to change without notice.
3. Check "Ordering and Availability Listing" for delivery and ordering information.
4. Contact our local Manufacturers Representative for pricing.

Specification Revision - 100809



L A B O R A T O R I E S