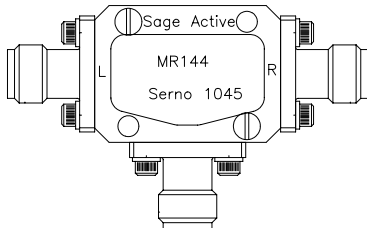




SPECIFICATION BULLETIN **MR144M Double Balanced Mixer**
RF / LO: 4.0 to 18.0 GHz



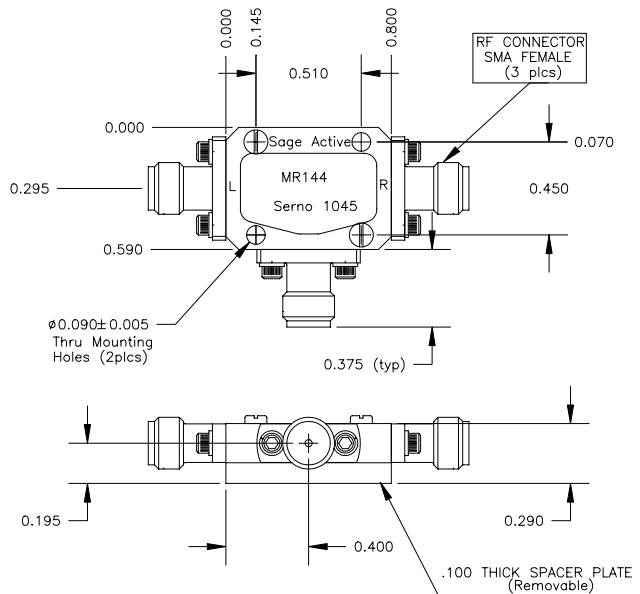
Standard Product Features:

- SMA Removable Connectors
- Broadband Performance
- 5.0 dB Typical Conversion Loss
- 30 dB Typical Isolation
- IF Coverage to 500 MHz
- Double Balanced
- Low Cost

SPECIFICATIONS	Typical	Min	Max
RF /LO Frequency Range	----	4 GHz	18 GHz
IF Frequency Range (3 dB Bandwidth)	----	DC	1000 MHz
Conversion Loss	5.0 dB	----	9.5 dB
LO Drive Level	13.0 dBm	11.0 dBm	15.0 dBm
Isolation, LO to RF	30 dB	18 dB	---
LO to IF	25 dB	15 dB	---
VSWR, RF	2.2:1	---	---
LO	1.8:1	---	---
Input 1 dB Compression	8 dBm	5 dBm	---
Input Two-Tone Third Order IP (IP3)	18 dBm	13 dBm	---
Operating Temperature Range	---	-54 C	+95 C
Storage Temperature Range	---	-65 C	+125 C

Alternate LO Drive Ranges are available. Consult factory for assistance on your requirements.

OUTLINE DRAWING:



Sage Laboratories, Inc.

8 Executive Drive • Hudson, NH 03051-4902 • Phone: 603-459-1600 • Fax: 603-459-1605

WEB SITE: www.sagelabs.com