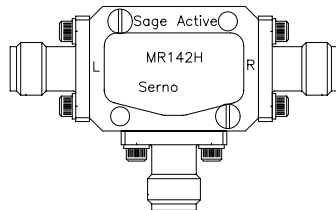




SPECIFICATION **MR142H Triple Balanced Mixer**
BULLETIN **RF/LO 4 to 18 GHz IF 10 to 5000 GHz**



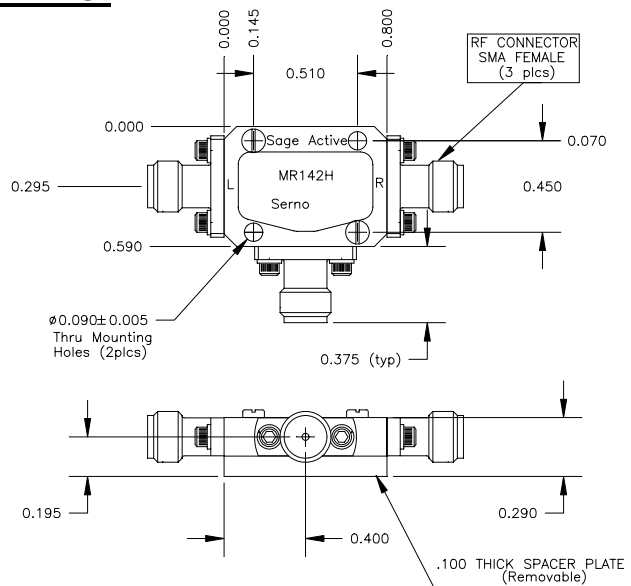
Standard Product Features:

- SMA Removable Connectors
- Broadband Performance
- 6.0 dB Typical Conversion Loss
- 30 dB Typical Isolation
- Broadband IF Coverage
- Triple Balanced
- Low Cost

| SPECIFICATIONS | TYPICAL | Min. | Max. |
|-------------------------------------|----------|----------|----------|
| RF /LO Frequency Range | ---- | 4 GHz | 18 GHz |
| IF Frequency Range (3 dB Bandwidth) | ---- | 10 MHz | 5000 MHz |
| Conversion Loss | 6.0 dB | ---- | 10.0 dB |
| LO Drive Level | 20.5 dBm | 19.0 dBm | 22.0 dBm |
| Isolation, LO to RF | 30 dB | 20 dB | --- |
| LO to IF | 25 dB | 15 dB | --- |
| VSWR, RF | 2.2:1 | --- | --- |
| LO | 1.8:1 | --- | --- |
| Input 1 dB Compression | 16 dBm | 13 dBm | --- |
| Input Two-Tone Third Order IP (IP3) | +24 dBm | +20 dBm | --- |
| Operating Temperature Range | --- | -54 C | +95 C |
| Storage Temperature Range | --- | -65 C | +125 C |

Alternate LO Drive Ranges are available. Consult factory for assistance on your requirements

OUTLINE DRAWING:



Sage Laboratories, Inc.

8 Executive Drive • Hudson, NH 03051 • Phone: 603-459-1600 • Fax: 603-459-1605

WEB SITE: www.sagelabs.com



Sage Laboratories, Inc.

8 Executive Drive • Hudson, NH 03051 • Phone: 603-459-1600 • Fax: 603-459-1605

WEB SITE: www.sagelabs.com