

WIREPAC®

FEATURES

- Octave Band Performance
- Higher Power Handling Capability
- Low Loss – Low Cost
- Prepared Ready to Install
- Aerospace and Commercial Heritage

The Wirepac® family of products offer the advantage of Wireline® design technology in a lower loss higher power capability package. The product features the performance characteristics of an octave band 3dB quadrature hybrids in a construction similar to semi-rigid cable. Installation options include drop-in, surface mount and flange mounted alternatives. Although the product is not pic-n-place compatible it continues to be used in many moderate volume applications due to its performance and flexibility advantages. The product boasts a considerable aerospace heritage and is fabricated using military grade materials and processing.

SPECIFICATIONS – ELECTRICAL

Part Number	FA*1, FA*1, KC*1, LC*1	FA*2, FA*2, KC*2, LC*2
Bandwidth Optimization	Narrow	Octave
Coupling, Coupled Path (dB)	3.00 ± 0.2	2.70 ± 0.2
Unbalance, max (dB), Coupled path to Main Line	0.3	1.1
Insertion Loss (I ² R), max (dB)	0.2	0.2
Isolation, min (dB)	20	20
VSWR	1.1	1.1
Power, Average (W)	500	500
Power, Peak (W)	2500	2500
Power Quadrature Error, max (°)	± 1	± 1
Dielectric Breakdown, min (V RMS)	1000	1000

* Shield finish code per Wirepac® Part Number Key at end of section.

NOTE: Electrical specifications summarized in the table above are determined by measurements at 300 MHz in a matched 50 Ohm system and are independent of physical length and frequency with the exception of power. At jacket temperatures above 55°C, the power should be de-rated linearly to 50% at 105°C and to 0 at 155°C.

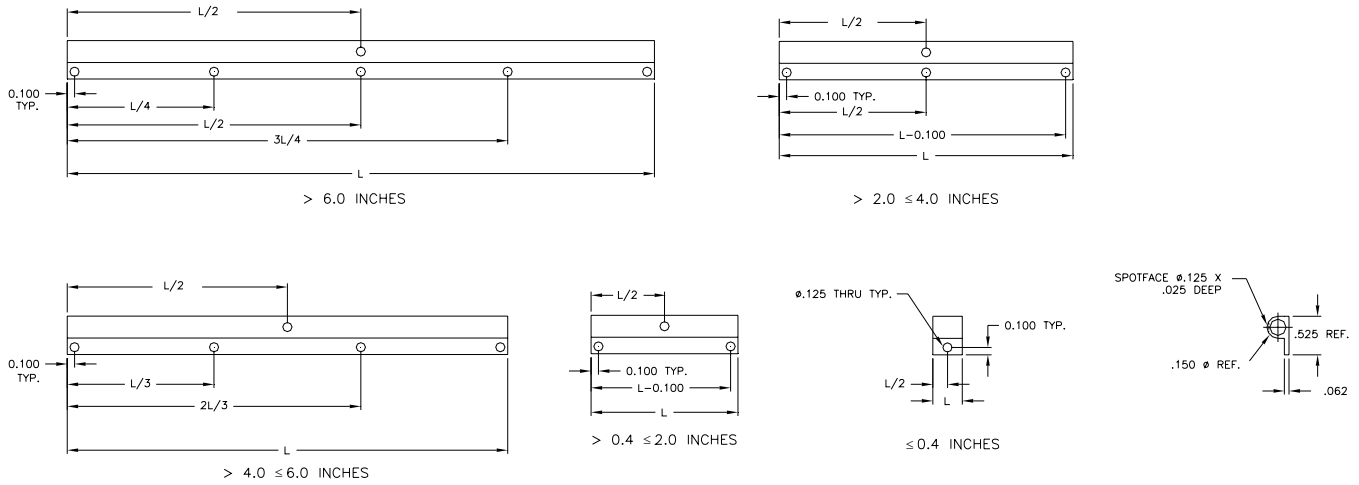
SPECIFICATIONS – MECHANICAL

Part Number	FA*1, FA*2	KC*1, KC*2	LC*1, LC*2
Weight (grams/inch)	4.3	3.0	3.0
Outer Shield Material	6063-T6 AL	Brass	Brass

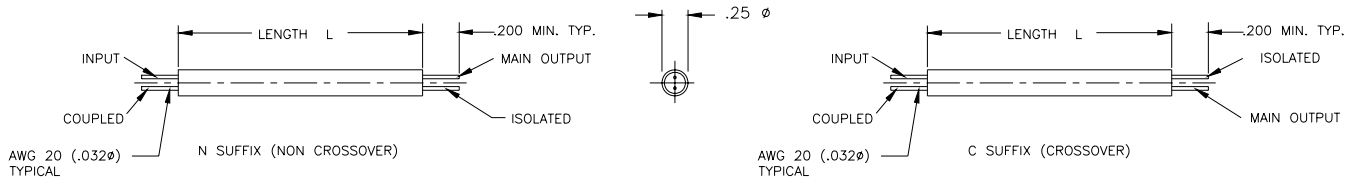
1. Standard length 8 inches, max; bare copper wire diameter is 0.032 inch.
2. Primary insulation is Kapton polyimide film per insulation MIL-P-46112 with FEP binder per ASTM-3368; PTFE Sylguard inner jacket



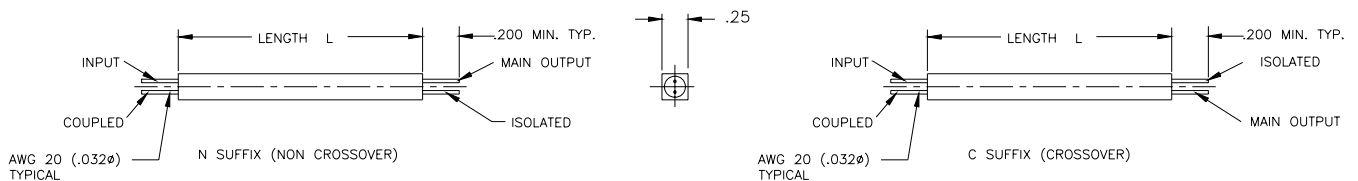
OUTLINE DRAWINGS



FA SERIES (FLANGED) JACKET, ALL OTHER FEATURES PER BELOW



KC SERIES (ROUND), CROSSOVER & NON-CROSSOVER



LC SERIES (SQUARE), CROSSOVER & NON-CROSSOVER



