

**FEATURES**

- Cover Cellular, PCS & 3G Standard Communications Bands
- Type “N” Connectors Standard
- Robust Low Cost Package Design
- Low Passive Intermodulation Product (PIMP) Design

**FH6370 SERIES**

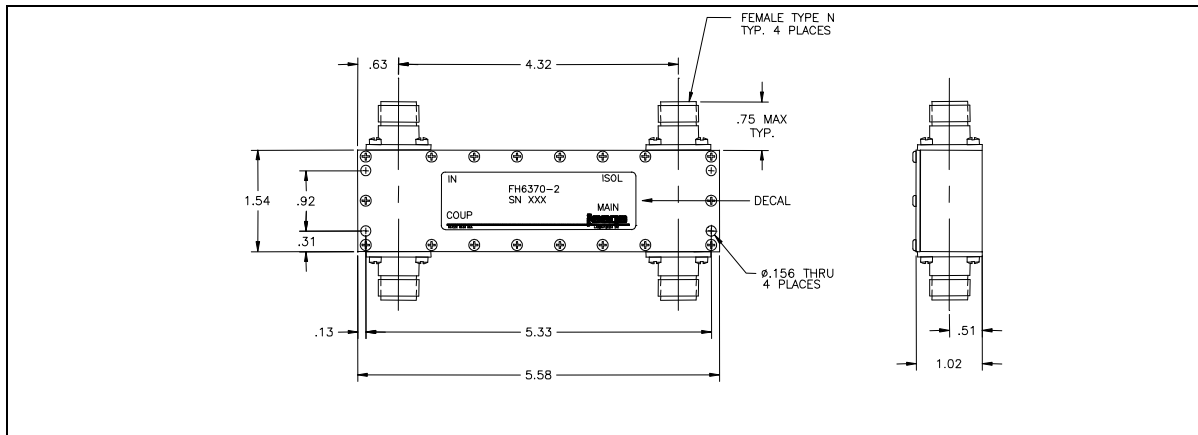
**SPECIFICATIONS**

Frequency (GHz)	Coupling (dB)	Unbalance <sup>1</sup> (dB)	Return Loss max (dB)	Loss <sup>2</sup> max (dB)	Isolation min (dB)	Power Handling max CW (Watts)	PIMP Min (dBm)	Model Number
0.8-2.5	3	± .5	20	.3	23 (0.8-2.4Ghz) 22 (2.4-2.5Ghz)	200	>100	FH6370-2

NOTES:

1. Unbalance specifies the maximum coupling loss variation within the specified operating range.
2. Loss is the actual dissipated and reflected loss. It does NOT include coupling loss.

**OUTLINE DRAWING**



MISCELLANIOUS:

1. Sage Laboratories Inc. “Standard Warranty and Order Terms and Conditions” apply to all orders.
2. All specifications subject to change without notice.
3. Check “Ordering and Availability Listing” for delivery and ordering information.
4. Contact our local Manufacturers Representative for pricing.

Specification Revision - 043002



L A B O R A T O R I E S